



# SCISSOR LIFT



Jinan Sinicmech Machinery Co., Ltd  
(MORN GROUP)



## Lift table technical features

- Capacity
- Platform (A x B)
- Stroke (E)
- Collapsed height (H)
- Hydraulic power pack inside or outside
- Number of cycles per hour
- Number of shifts per day
- Lifting time
- Precision in positioning

## Pit

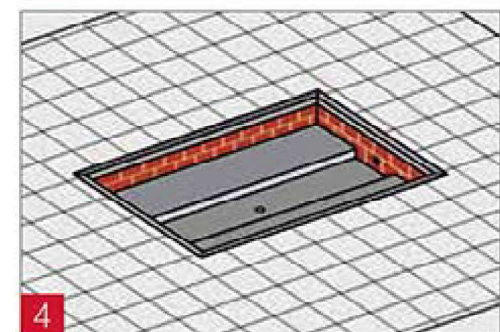
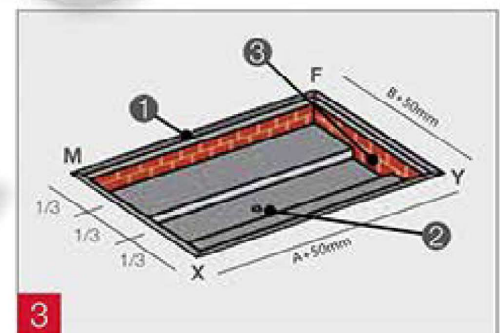
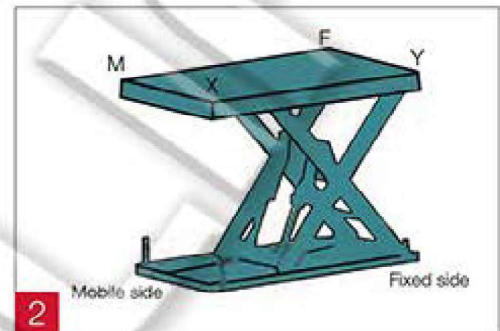
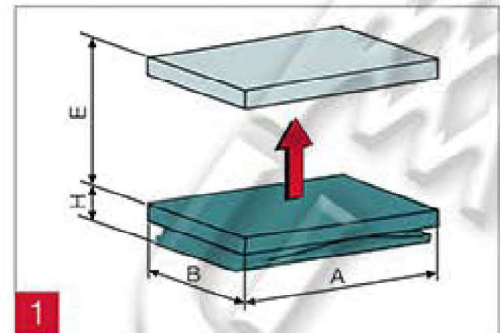
If the lift table is positioned in a pit, it is necessary to provide construction work for placement. The drawing refers to a standard lift table without options. Please consult MORN for correct pit drawing.

Pit width= $B+50\text{mm}$   
 Pit length= $A+50\text{mm}$   
 Pit depth= $H+10\text{mm}$

- ① Angle iron pit edge protection (60x60x6)
- ② Rainwater drainage located in the pit center 100 mm dia.

## Notes

- ① The lower frames of the standard tables are not self-supporting. It is therefore important that the pit base is well levelled.
- ② It is necessary that the bottom of the pit is well drained, when necessary, providing that the rainwater drainage hole is at 80 mm lower than H.
- ③ Output electric / hydraulic cables always from fixed side F-Y.





# Main parts of Lift Table

1.Checked Plate



2.Connecting Fitting



3.Maintenance Hole



4.Fix Plate



5.Hoisting Hook Position



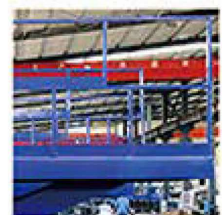
6.Hydraulic Cylinder



7.Hydraulic Motor



8.Safety Railing







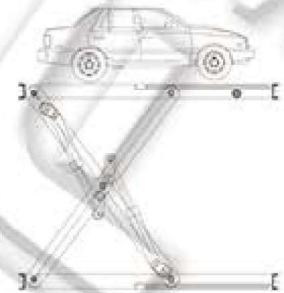
# Application





## Scissor Car Lift

Scissor Car Lift is specially designed to transfer cars from one floor to other floors. Our car lift now is pretty welcomed by automobile 4S stores, car showrooms, garages and some other sites. The control panels of car lift are installed at the designated floors, and could be also installed on the lift platform, user-friendly and easy-operating.



Model	Load Capacity	Platform Size	Travel Height	Min. Height	Power
SSL3-3	3000kg	5000x2500mm	3000mm	650mm	5.5KW
SSL3-4	3000kg	5000x2500mm	4000mm	800mm	5.5KW
SSL3-6	3000kg	5000x2500mm	6000mm	800mm	7.5KW
SSL5-3	5000kg	6500x2600mm	3000mm	680mm	7.5KW
SSL5-4	5000kg	6500x2600mm	4000mm	680mm	7.5KW

Car lift is customizable in loading capacity, platform size and travel height.







# Application





## Double Deck Scissor Car Lift

Double Deck Scissor Lift is an ideal access to underground garages. MORN double deck scissor lift is fast, silent, discreet, humanized design, and safe performance. Installation to replace an access ramp on private property, and save your time to take car out of underground garages.

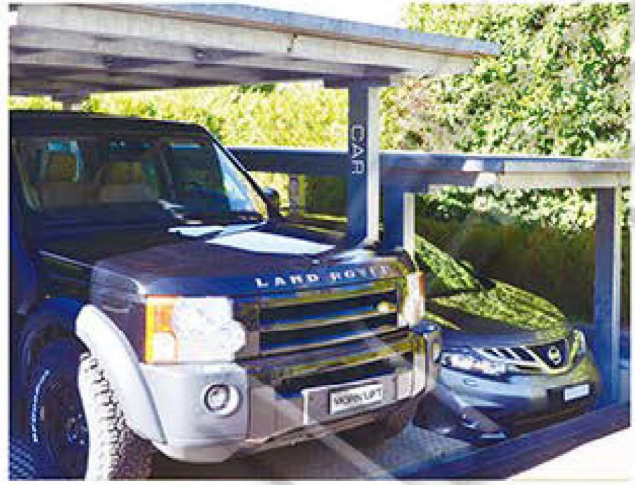


Characteristics	Standard	Option
Lower platform load	3000kg	2000kg / 2500kg / other
Upper platform load	3000kg Static (Dynamic movement available upon request)	2000kg / 2500kg / other
Dimensions available for lower platform	2800 x 5800 mm	2700/3100 x 5000/6000 / other
Dimensions available for upper platform	3000 x 6000 mm	2900/3300 x 5200/6200 / other
Available height	2000 - 3400mm	According to your height

*Double Deck Scissor Car Lift is customizable in loading capacity, platform size and travel height.*







# Application

