

Product specifications are subject to change without notice or obligation.
The photographs and/or drawings in this document are for illustrative proposes only.



SINICMECH MACHINERY



JINAN SINICMECH MACHINERY CO.,LTD

Add: NO.15612 Century Avenue,High-Tech Zone. Jinan, China
Tel: +86-531-55572829 55572832 Fax: +86-531-88692337
Email: info@mornlift.com sales@sinicmech.com
Website: www.mornlift.com www.sinolifter.com

HYDRAULIC LIFT

www.mornlift.com www.sinolifter.com

JINAN SINICMECH MACHINERY CO.,LTD

MORN GROUP LIMITED



ABOUT MORN

Jinan Sinicmech Machinery (Morn Group) Co., Ltd. is a professional manufacturer engaged in producing hydraulic lift platforms and is also the biggest producer in making aerial work platforms, hydraulic scissor lift, boom lift, and dock levelers.

MORN has been abiding consistently by its development guideline of "Safety, service, integrity and efficiency" ever since it was founded, and is strictly up to the "People's Republic of China Machinery Industry standards"& CE standard. We are continuously improving the quality of products and launching news series of the products to satisfy the marketing growth. From 2008 to 2014, MORN has the doubled growth rate per year, all these achievements should thanks to the effort of our 110 workers of the factories and 10 engineers who work for R&D in Technology Dept, 48 salesman and after-sales Technical Support.

Today MORN has filled many blank areas in the domestic market, owned successfully several national inventions and utility model patents, which the achievements MORN obtained, are the starting bases of development future, for every MORN member knows our final goals "To facilitate the world, create well-known 'MORN' brand".

MORN always welcomes every customer come to visit us and experience our products and service.



CONTENTS

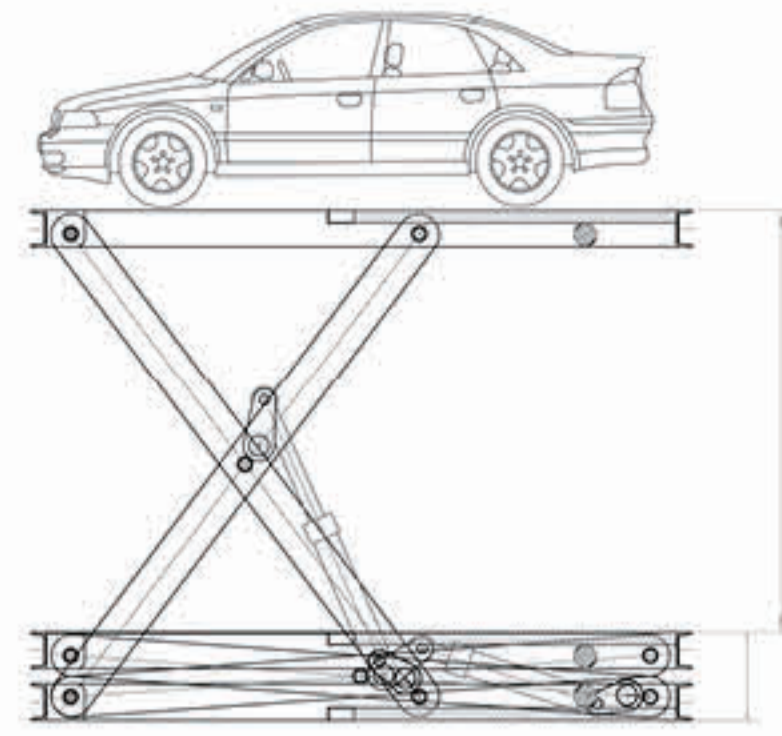
1. Stationary Scissor Lift	SSL 1
2. Vertical Cargo Lift	LRL 5
3. Wheelchair Lift	WL 7
4. Mobile Scissor Lift	TS 11
5. Aluminum Alloy Lift	TAM 13
6. Telescopic Cylindrical Lift	TTC 17
7. Mobile Dock Ramp	MDR 21
8. Stationary Dock Leveler	SDR 22
9. Trailer Boom Lift	ATB 23
10. Articulated Boom Lift	VA 25





SSL

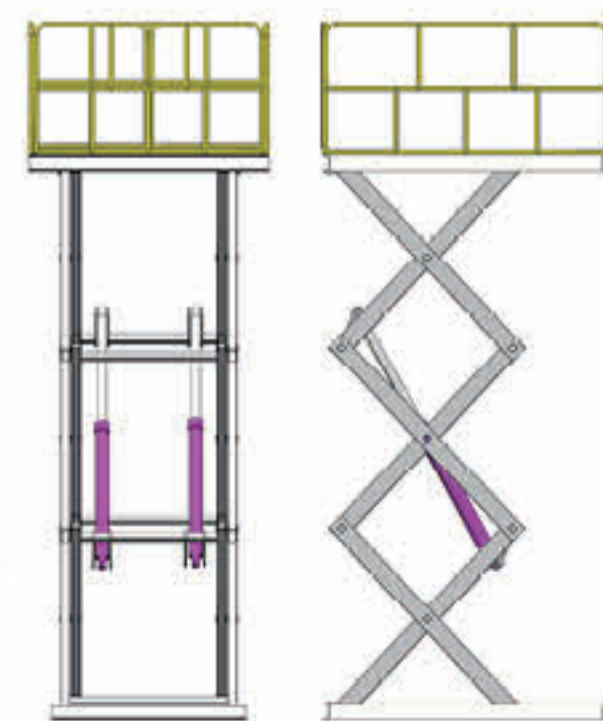
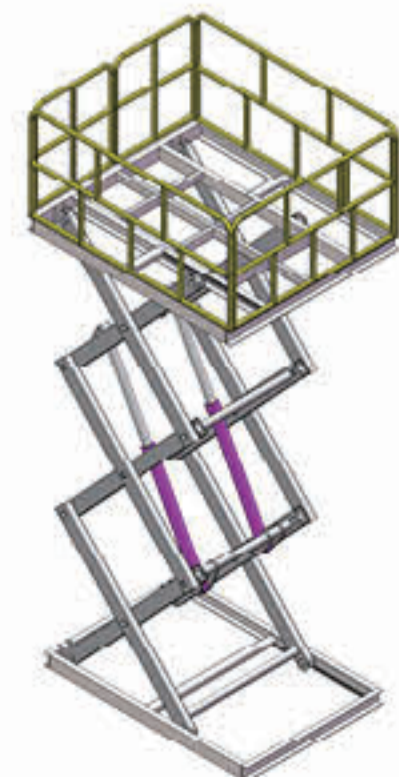
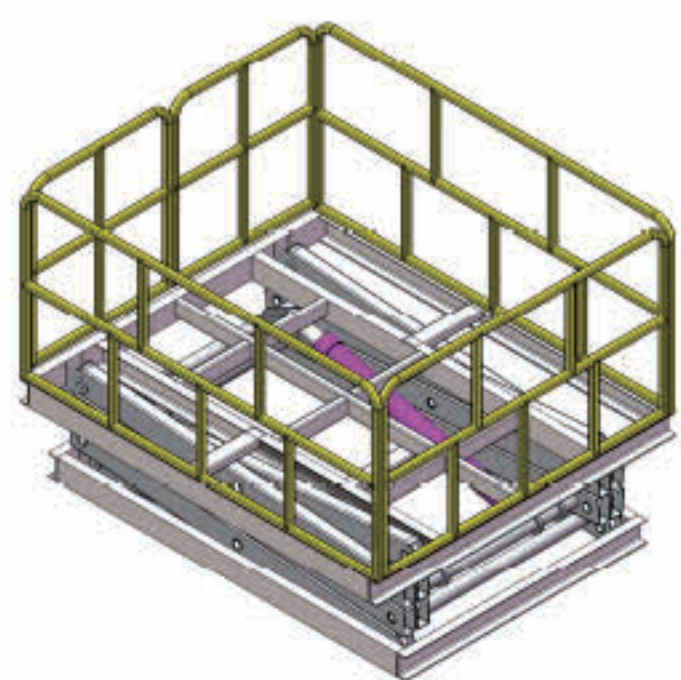
Stationary Scissor Lift



It is driven by the electric and hydraulic system, the lift platform is lifted up and dropped down along the track; it is installed in the pit or the ground floor to convey the goods from one floor to another and convey the goods from one working level to another. The control panels are available at the designated floors and on the lift platforms.

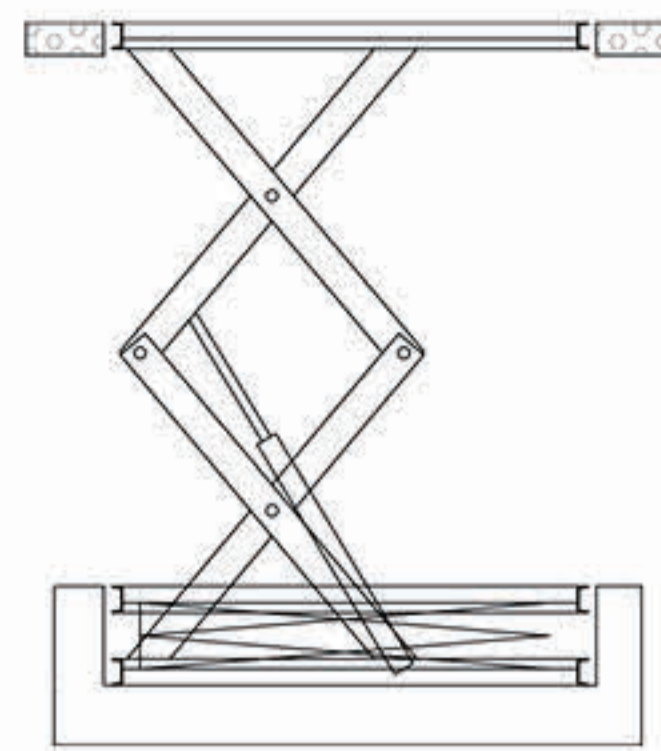
Model	Capacity	Travel	Platform Size	Platform Height		Power	Approx. Weight
				Lowered	Raised		
SSL0.5-2.4	500kg	2.4m	1.2x1.2m	0.55m	2.95m	2.2kw	600kg
SSL1-4.5	1000kg	4.5m	2.5x1.5m	0.68m	5.18m	3kw	1800kg
SSL1.5-1.25	1500kg	1.25m	2x1.7m	0.25m	1.5m	3kw	1000kg
SSL3-1.02	3000kg	1.02m	1.3x0.8m	0.57m	1.59m	3kw	650kg
SSL3-5	3000kg	5m	5.8x2.5m	0.87m	5.87m	3.5kw	5000kg
SSL2-1.6	2000kg	1.6m	3x1.5m	0.45m	2.05m	4kw	1200kg
SSL5-1.8	5000kg	1.8m	7.9x3.2m	1.1m	2.9m	5.5kw	4200kg
SSL10-2.5	10000kg	2.5m	3.3x2.6m	0.95m	3.45m	5.5kw	4800kg
SSL3-5	3000kg	5m	5x2.5m	0.95m	5.95m	7.5kw	3800kg
SSL3.5-9.6	3500kg	9.6m	5.1x2.2m	1.45m	11.05m	7.5kw	1450kg
SSL5-3	5000kg	3m	5x2.6m	0.65m	3.65m	7.5kw	3600kg
SSL3-4.4	3000kg	4.4m	5x4m	0.8m	5.2m	7.5kw	5600kg
SSL30-1.6	30000kg	1.6m	13x2.8m	0.8m	2.4m	7.5kwx4	20000kg

Note: Capacity, travel, platform size, voltage and color can be made as customer requirement.



SSL5-3.03
 Load capacity: 5000kg
 Travel height: 3030mm
 Platform size: 2600*5000mm
 Self height: 650mm
 Motor: 7.5kw
 Used for lifting cars from ground to first floor





Scissor dock lift for loading and unloading



Scissor lift for stage performance



Scissor lift for carrying cargos from ground to the first floor



SSL2-9

- Capacity: 2000kg
- Travel height: 9000mm
- Platform size: 3000*2000mm
- Self height: 1450mm
- Motor: 4kw
- Guardrail height-inner: 1100mm
- Guardrail height-outside: 1500mm



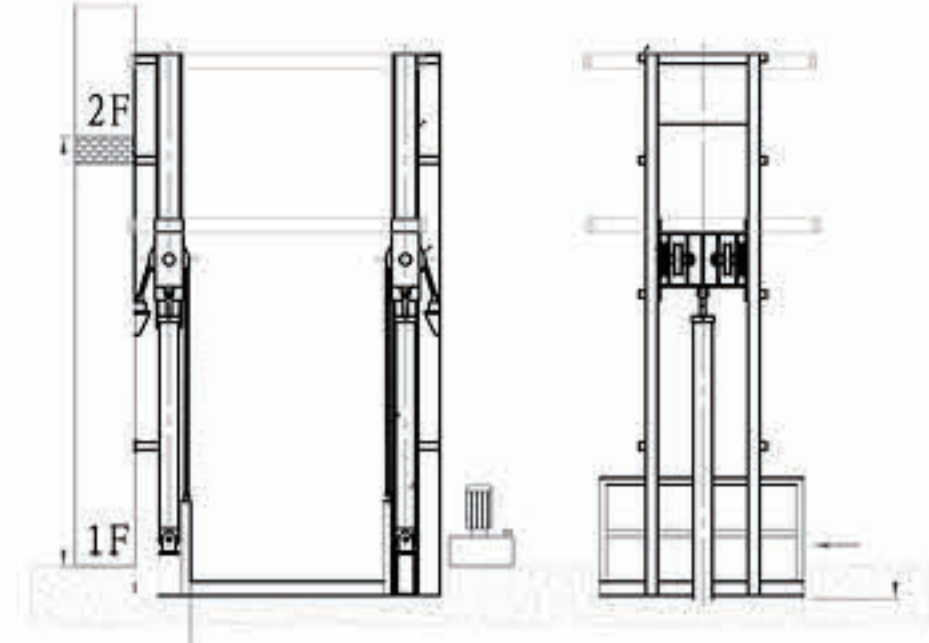
Optional

- Guardrails available.
- Dust cover available
- Protective fence available.



LRL

Vertical Cargo Lift



Introduction:

Vertical cargo lift is widely used in indoor or outdoor of the buildings and warehouse, especially used to lift the goods or pallets between the floors. It provides fast, efficient, convenient and safe access to mezzanines, basements, and any levels in multistoried building.

Models list for reference:

Model	LRL1-5.2	LRL2-5.8	LRL3-10	LRL10-7	LRL5-10
Capacity	1000kg	2000kg	3000kg	10000kg	5000kg
Travel height	5.2m	5.8m	10m	7m	10m
Platform size	2.5x1.5m	1.6x1.8m	2.3x1.9m	3.4x4.45m	7.37x2.25
Loading direction	2.5m	1.6m	1.9m	3.4m	7.37m
Lift drive	Hydraulic	Hydraulic	Hydraulic	Hydraulic	Hydraulic
Shaft size	3.15x1.65m	2.25x1.95m	2.9x1.9m	4.1x4.5m	7.47x2.95
Power	3kw	4kw	5.5kw	11kw	7.5kw
Custom-made according to the requirement					



Hydraulic Cylinder Corrosion-resistant chain High-strength steel wire rope Overload alarm

Project case



Hydraulic lifting system

The far-end control and multi-control points at the different floors
Stop anywhere at the pre-concerted and accurate location point.
It can work under any condition, great load capacity, safe and reliable.



WL

Wheelchair Lift



Wheelchair platform lift is designed specifically to transport a wheelchair or individual from one floor to a higher platform, widely used in both indoor and outdoor, providing a perfect access for the disabled people.

Two different materials: Aluminum alloy with powder coated; stainless steel

Model list A (Aluminum alloy with Powder coated)

Model	Travel height	Capacity	Platform Size	Dimension	Weight
WL0.25-1.0	1000mm	250kg	1430*900mm	2000*1430*1000mm	350kg
WL0.25-1.5	1500mm	250kg	1430*900mm	2500*1430*1000mm	450kg
WL0.25-2.0	2000mm	250kg	1430*900mm	3000*1430*1000mm	550kg
WL0.25-2.5	2500mm	250kg	1430*900mm	3500*1430*1000mm	700kg
WL0.25-3.0	3000mm	250kg	1430*900mm	4000*1430*1000mm	780kg
WL0.25-3.5	3500mm	250kg	1430*900mm	4600*1430*1000mm	850kg
WL0.25-4.0	4000mm	250kg	1430*900mm	5100*1430*1000mm	880kg
WL0.25-5.0	5000mm	250kg	1430*900mm	6100*1430*1000mm	1000kg
WL0.25-6.0	6000mm	250kg	1430*900mm	7100*1430*1000mm	1100kg



Automatic ramp control: Turn up to max 75° and prevent the wheelchair outside



Control panel and Remote: Easy and convenient operation

- Whole body is made by Aluminum Alloy with Powder coating.
- Inching control
- Emergency Stop
- Emergency Lowering system
- Non-pit and easier installation
- Safety sensor: Stop the lift immediately if the safety edge meets obstacles when going down.





WL

Wheelchair Lift

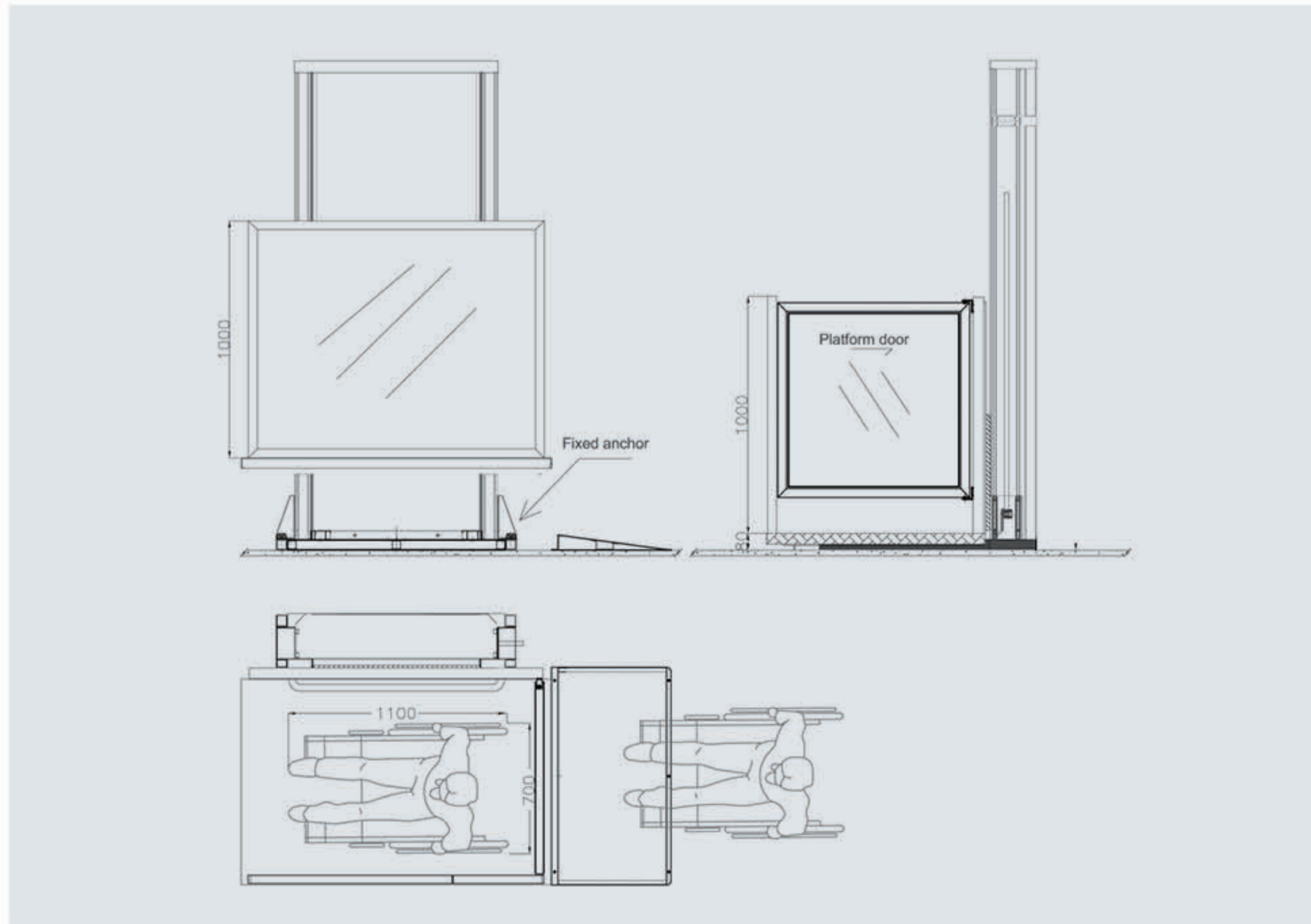


It is used for home lifting especially suitable for a wheelchair accompany with one person. It bring great convenience for the handicapped, it can be installed indoor or outdoor. Widely used in bank, station, hotel, hospital or other public places.

Model list B (stainless steel)

Model	Travel height	Capacity	Platform size	Dimension	Weight
WL0.25-1.0	1000mm	250kg	1450*1000mm	2100*1450*1000mm	500kg
WL0.25-1.5	1500mm	250kg	1450*1000mm	2600*1450*1000mm	600kg
WL0.25-2.0	2000mm	250kg	1450*1000mm	3100*1450*1000mm	650kg
WL0.25-2.5	2500mm	250kg	1450*1000mm	3600*1450*1000mm	700kg
WL0.25-3.0	3000mm	250kg	1450*1000mm	4100*1450*1000mm	780kg
WL0.25-3.5	3500mm	250kg	1450*1000mm	4700*1450*1000mm	850kg
WL0.25-4.0	4000mm	250kg	1450*1000mm	5200*1450*1000mm	880kg
WL0.25-5.0	5000mm	250kg	1450*1000mm	6200*1450*1000mm	1000kg
WL0.25-6.0	6000mm	250kg	1450*1000mm	7200*1450*1000mm	1100kg

Wheelchair lift Project case



Mobile Scissor Lift

Mobile scissor lift can be moved by manual labor easily. Lift power can be AC, DC or Diesel. It is widely used for the equipments installations and maintenance at the following places like construction sites, workshops, warehouse, granary, bus/railway stations and so on.

Model	Capacity	Platform height	Platform Size	Dimension	Approx. Weight	Power
				(L×W×H)		
TS0.3-4	300kg	4m	1.65x0.75m	2.05x1.05x1.05m	500kg	2.2kw
TS0.3-6	300kg	6m	1.65x0.75m	2.05x1.05x1.25m	900kg	2.2kw
TS0.3-8	300kg	8m	1.75x0.90m	2.20x1.20x1.35m	1000kg	2.2kw
TS0.5-8	500kg	8m	1.75x1.10m	2.20x1.40x1.35m	1100kg	2.2kw
TS0.8-8	800kg	8m	1.82x1.10m	2.35x1.40x1.50m	1700kg	3kw
TS0.3-10	300kg	10m	2.11x1.22m	2.60x1.50x1.50m	1350kg	2.2kw
TS1.0-10	1000kg	10m	2.22x1.22m	2.75x1.70x1.85m	2200kg	3kw
TS0.3-12	300kg	12m	2.55x1.50m	3.10x2.00x1.85m	2000kg	3kw
TS1.0-12	1000kg	12m	2.60x1.50m	3.20x2.00x2.15m	3100kg	3kw
TS0.3-14	300kg	14m	3.00x1.60m	3.55x2.10x1.95m	2300kg	3kw
TS0.3-16	300kg	16m	3.21x1.60m	3.75x2.10x2.15m	3800kg	4kw
TS0.3-18	300kg	18m	3.21x1.60m	3.75x2.10x2.35m	4300kg	4kw

Note:

- Travel ≤ 3m, PU tire; ≥ 16m, solid tire; 4m<Travel <16m, pneumatic tire.
- AC power v/hz/phase can be made as customer's local needs.
- DC power for self propelled is also available.

Simple operation system



Controller on platform



Controller on ground



AC Power input



Easier trailing bar



Option

- AC power, battery or diesel power or combination power for option.
- Color: blue, green, red, yellow and orange for option.
- 2-wheel or 4-wheel as customer's needs.





TAM

Mobile Vertical Lifts



Mobile vertical lift is made up of high grade aluminum profile and equipped with Omni-directional wheels, easily pushed around to the designated sites, beautiful structure, compact main body, light weight.

Mobile Vertical Lift (Single Mast)

Model	TAM0.1-4	TAM0.1-6	TAM0.1-8	TAM0.1-10
Capacity	100kg	100kg	100kg	100kg
Platform height	4.0m	6.0	8.0m	10.0m
Max. working height	5.7m	7.7m	9.7m	11.7m
Platform size	0.6x0.6m	0.6x0.6m	0.6x0.6m	0.6x0.6m
Max. Occupants	1	1	1	1
Dimensions				
Overall length	1.3m	1.3m	1.38m	1.5m
Overall width	0.8m	0.8m	0.8m	0.8m
Overall height	1.8m	1.96m	1.98m	2.18m
Lift power				
AC	110-230V	110-230V	110-230V	110-230V
Motor	1.5kw	1.5kw	1.5kw	1.5kw
Weight	260kg	280kg	320kg	480kg

Standard

- Dual controllers operation
- Emergency lowering system
- Emergency stop button
- Overload protection
- Locking Key Switch

Optional

- Overload sensor with alarm
- Optional Chassis with level gauge
- Beacon
- DC power
- AC to platform



Platform control



Manual outriggers



Control Box



Emergency drop valve



Single mast aluminum lift
 4-10m available height
 Lightweight design allow it to be easily transported by a single person
 High strength aluminum alloy profile
 can enter narrow and small area





Vertical lift-Two mast

Model	TAM0.2-8	TAM0.2-10	TAM0.2-12	TAM0.2-14
Capacity	200kg	200kg	200kg	200kg
Platform height	12.00m	10.00m	12.00m	14.00m
Max. working height	10.00m	12.00m	14.00m	16.00m
Platform size	1.45x0.60m	1.45x0.60m	1.65x0.60m	1.65x0.65m
Max. Occupants	2	2	2	2
Dimensions				
Overall length	1.90m	1.90m	2.00m	2.10m
Overall width	0.80m	0.80m	0.89m	1.00m
Overall height	1.98m	1.98m	2.08m	2.40m
Lift power				
AC	110-380v	110-380v	110-380v	110-380v
Motor	1.5kw	1.5kw	1.5kw	1.5kw
Weight	580kg	730kg	850kg	950kg

Standard

Dual controllers operation
Emergency lowering system
Emergency stop button
Overload protection
Locking Key Switch
Hidden guardrail

Optional

Overload sensor with alarm
Optional Chassis with level gauge
DC power
AC to platform
Extended platform



Platform panel



Hidden guardrail



Control box



Non-trace universal wheel



Mobile Vertical Lift (Three mast & Four mast)

Model	TAM0.2-14 (three mast)	TAM0.2-16 (three mast)	TAM0.2-16 (four mast)	TAM0.2-18 (four mast)	TAM0.2-20 (four mast)
Capacity	200kg	200kg	200kg	200kg	200kg
Max. Occupants	2	2	2	2	2
Max. work height	16.00m	18.00m	18.00m	20.00m	22.00m
Platform height	14.00m	16.00m	16.00m	18.00m	20.00m
Platform size	1.65x0.80m	1.65x0.80m	1.65x0.80m	1.40x1.00m	1.50x1.10m
Overall length	2.10m	2.20m	2.20m	3.20m	3.50m
Overall width	1.20m	1.30m	1.30m	1.50m	1.50m
Overall height	2.40m	2.70m	2.70m	3.20m	3.50m
Lifting motor	2.2kw	2.2kw	2.2kw	2.2kw	2.2kw
Weight	1200kg	1350kg	1600kg	1980kg	2200kg



Standard

Dual controllers operation
Emergency lowering system
Emergency stop button
Overload protection
Dual activated up/down switch
Locking Key Switch
Hidden guardrail



Optional

Overload sensor with alarm
Optional Chassis with level gauge
Beacon
DC power
AC to platform
Extended platform
Tiltable Type

Telescopic Cylindrical Lift



Perfect stability in high aerial. Ideal warehouse use between racking and narrow aisle areas. Hospitals, schools, offices for suspended ceiling maintenance.

Single Ladder 4~8m

Model	TTC-4A	TTC-6A	TTC-8A
Capacity	200kg	200kg	200kg
Max. Occupants	1	1	1
Max. work height	6.00m	8.00m	10.00m
Platform height	4.00m	6.00m	8.00m
Platform size	0.8x0.8m	0.8x0.8m	0.8x0.8m
Anti-wind capacity	5	5	5
Lifting motor	1.1kw	1.1kw	1.1kw
Overall length	0.92m	1.02m	1.16m
Overall width	0.79m	0.85m	0.92m
Overall height	1.7m	1.80m	2.0m
Weight	400kg	480kg	580kg

Standard
Telescopic-cylinder with ladder
Emergency lowering system
Emergency stop button
Under voltage protector
Explosion-proof valves
Spillover valve
One-way valve
Remote and control box
AC lift power

Single Ladder 10~14m

Model	TTC-10A	TTC-12A	TTC-14A
Capacity	200kg	200kg	200kg
Max. Occupants	1	1	1
Max. work height	11.70m	14.00m	16.00m
Platform height	10.00m	12.00m	14.00m
Platform size	0.8x0.8m	0.8x0.8m	0.8x0.8m
Anti-wind capacity	5	5	5
Lifting motor	1.1kw	1.1kw	1.1kw
Overall length	1.16m	1.40m	1.40m
Overall width	1.00m	1.25m	1.23m
Overall height	2.10m	2.20m	2.40m
Weight	650kg	900kg	1075kg

Optional
Overload sensor with alarm
AC power to platform
Beacon
DC power with charger
Optional color



Outrigger



Galvanized anti-rotating ladder



Foldable Guardrail



Single ladder lift

Foldable SS guardrails

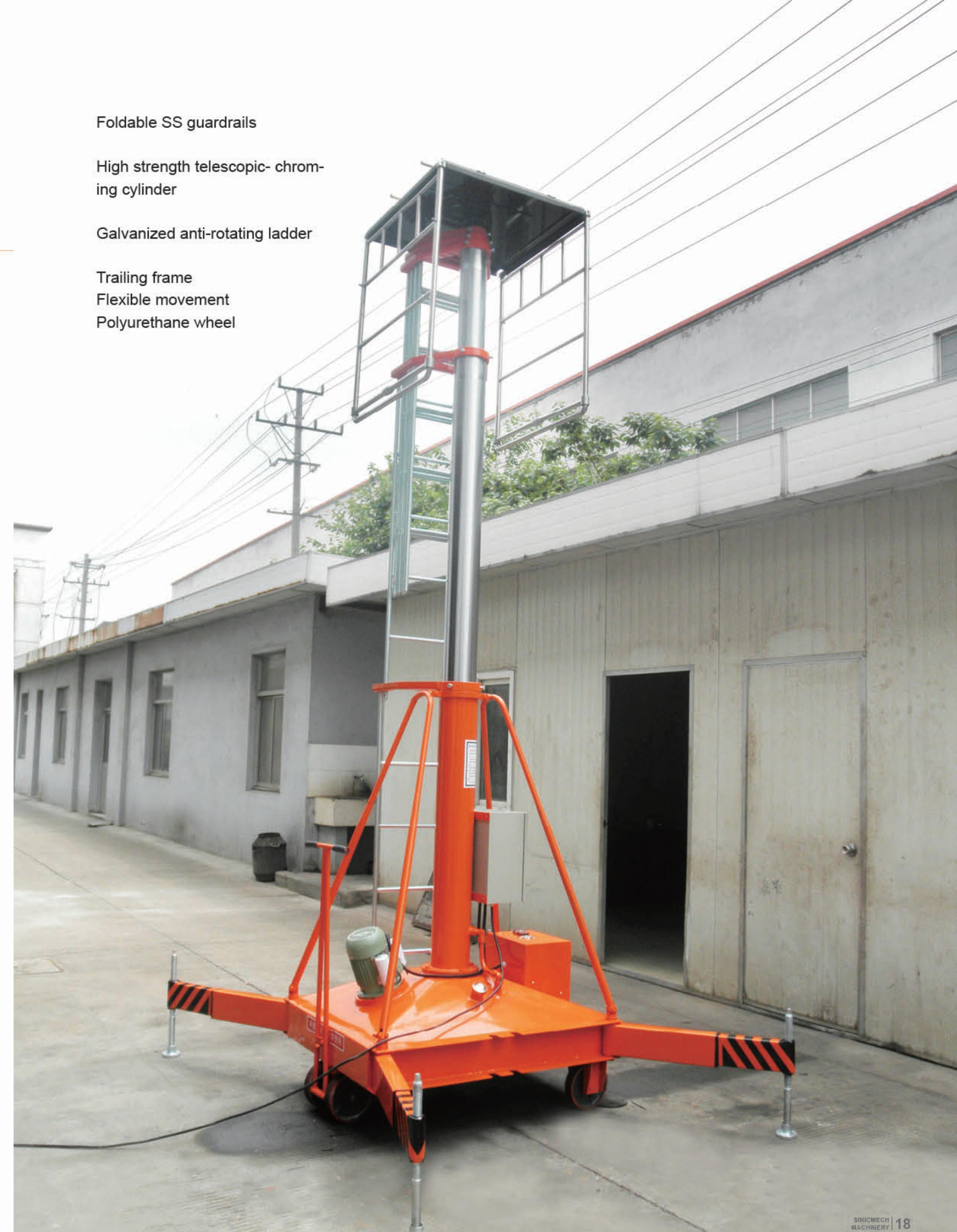
High strength telescopic- chroming cylinder

Galvanized anti-rotating ladder

Trailing frame

Flexible movement

Polyurethane wheel





Double Ladder, 16~35m

Model	TTC-16B	TTC-18B	TTC-20B	TTC-22B	TTC-24B
Capacity	200kg	200kg	200kg	200kg	200kg
Max. Occupants	1	1	1	1	1
Max. working height	18.00m	20.00m	22.00m	24.00m	26.00m
Platform height	16.00m	18.00m	20.00m	22.00m	24.00m
Platform size	0.85x0.85m	0.85x0.85m	0.85x0.85m	0.85x0.85m	0.85x0.85m
Anti-wind capacity	5	5	5	5	5
Lifting motor	1.5kw	2x1.1kw	2x1.1kw	2x1.1kw	1.1kw
Overall length	1.68m	1.78m	1.85m	1.97m	1.97m
Overall width	1.35m	1.47m	1.56m	1.65m	1.65m
Overall height	2.36m	2.60m	2.65m	2.75m	2.82m
Weight	1350kg	1600kg	1650kg	1850kg	2200kg

Model	TTC-26B	TTC-28B	TTC-30B	TTC-32B	TTC-35B
Capacity	150kg	150kg	120kg	120kg	120kg
Max. Occupants	1	1	1	1	1
Max. working height	28.00m	28.00m	32.00m	8.00m	11.70m
Platform height	26.00m	30.00m	30.00m	6.00m	10.00m
Platform size	0.85x0.85m	0.85x0.85m	0.85x0.85m	0.85x0.85m	0.85x0.85m
Anti-wind capacity	4	4	4	4	4
Lifting motor	1.1kw	1.1kw	1.1kwx2	1.1kwx2	1.1kwx2
Overall length	2.05m	2.20m	2.25m	2.50m	2.50m
Overall width	1.75m	1.80m	1.90m	1.90m	1.90m
Overall height	3.05m	3.05m	3.20m	3.35m	3.70m
Weight	2450kg	2500kg	2800kg	3200kg	3600kg



Remoter



Outrigger slot



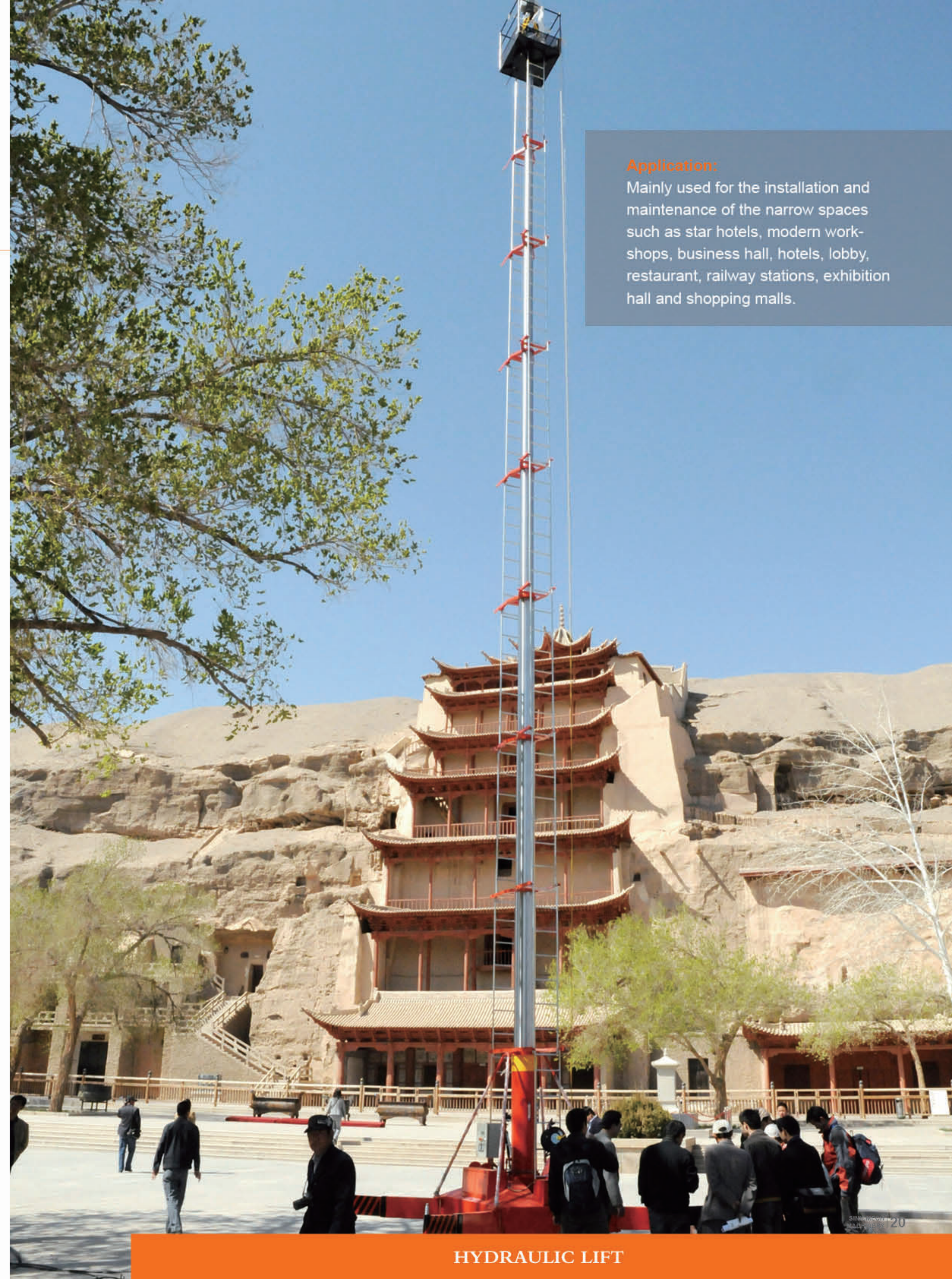
Main control box



Tiltable design

Application:

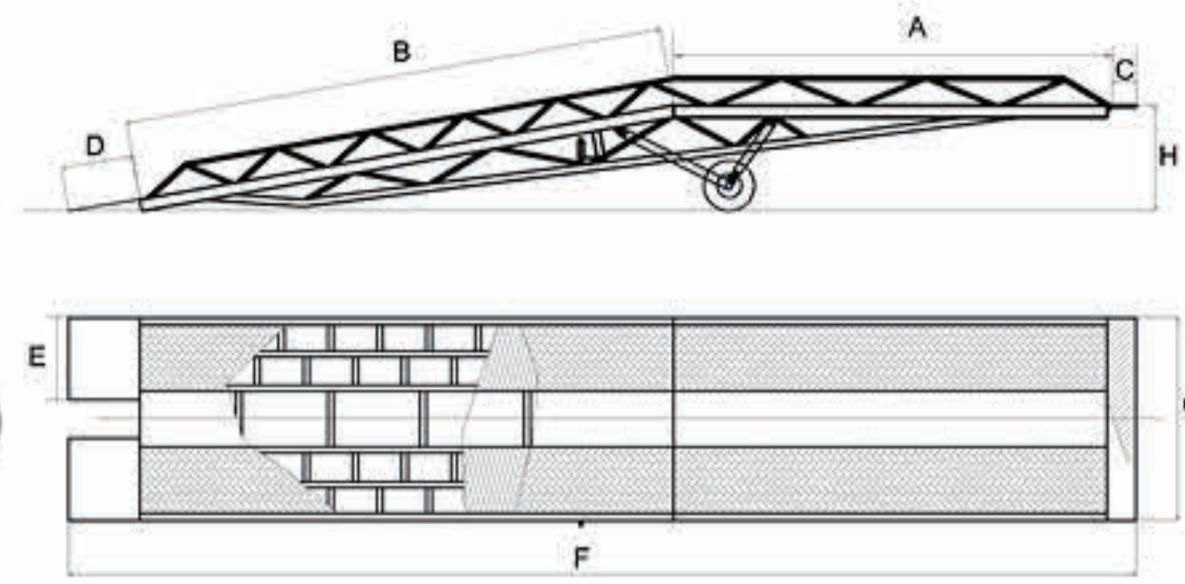
Mainly used for the installation and maintenance of the narrow spaces such as star hotels, modern workshops, business hall, hotels, lobby, restaurant, railway stations, exhibition hall and shopping malls.





MDR

Mobile Dock Ramp



Mobile dock ramp is widely used for forklift loading/unloading work between trucks or containers and material handling in warehouse, wharf, logistics center, working place, etc. It can be operated by single person easily which saves much labor and promotes working efficiency.

Manual power or electricity power is for your choice

Model	MDR-5	MDR-6	MDR-8	MDR-10	MDR-12	MRD-15
Load capacity	5000kg	6000kg	8000kg	10000kg	12000kg	15000kg
Forklift suspensive board--A	2.5m	2.5m	2.5m	2.5m	2.5m	2.5m
Body--B	7.5m	7.5m	7.5m	7.5m	7.5m	7.5m
Lip--C	0.4m	0.4m	0.4m	0.4m	0.4m	0.4m
Leading board--D	0.6m	0.6m	0.6m	0.6m	0.6m	0.6m
Leading board--E	0.5m	0.5m	0.5m	0.5m	0.5m	0.5m
Overall length--F	11m	11m	11m	11m	11m	11m
Overall width--G	2m	2m	2m	2m	2m	2m
Working height--H	1.0-1.8m	1.0-1.8m	1.0-1.8m	1.0-1.8m	1.0-1.8m	1.0-1.8m
Weight	2500kg	2600kg	2800kg	3000kg	3200kg	3500kg



It helps forklift loading and unloading cargos from container or truck.



Safety chain

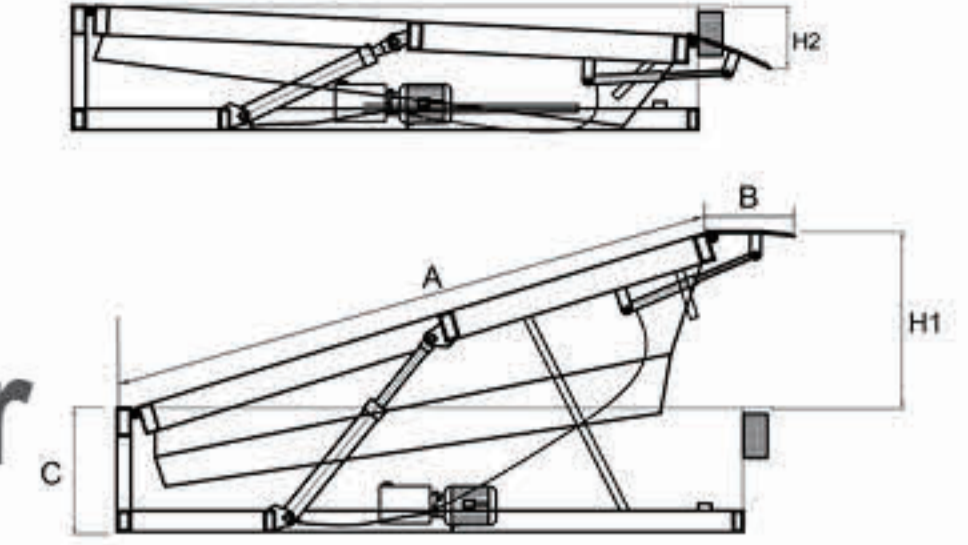
Antiskid plate

Wheel block

Manual Up&Down

SDR

Stationary Dock Leveler



Stationary dock leveler is widely used in warehouse, station, wharf, warehousing logistics base, postal transportation, logistics distribution etc.

Model	SDR-5	SDR-6	SDR-8	SDR-10	SDR-12	SDR-15
Capacity	5000kg	6000kg	8000kg	10000kg	12000kg	15000kg
Platform size --A	2.5x2m	2.5x2m	2.5x2m	2.5x2m	2.5x2m	2.5x2m
Travel--H1, H2	+0.4/-0.3m	+0.4/-0.3m	+0.4/-0.3m	+0.4/-0.3m	+0.4/-0.3m	+0.4/-0.3m
Lip--B	0.4m	0.4m	0.4m	0.4m	0.4m	0.4m
Closed height--C	0.6m	0.6m	0.6m	0.6m	0.6m	0.6m
Dimension	2x2x0.6m	2x2x0.6m	2x2x0.6m	2x2x0.6m	2x2x0.6m	2x2x0.6m
Custom-made according to the requirement						



Fixed in the pit, is the auxiliary equipment for cargo loading into container or truck



Trailer articulated boom lift has extensive application field and stable safety performance, it is widely used for roads, street light maintenance, shopping malls, and other working place.

Model	ATB0.2-6	ATB0.2-8	ATB0.2-10	ATB0.2-12	ATB0.2-14
Platform height	6m	8m	10m	12m	14m
Max. work height	8m	10m	12m	14m	16m
Max. horizontal reach	3m	3.5m	4m	5.5m	6.5m
Turntable Rotation	360°	360°	360°	360°	360°
Jib Rotation	100°	100°	100°	100°	100°
Platform capacity	200kg	200kg	200kg	200kg	200kg
Platform Size	0.9×0.7×1.1m	0.9×0.7×1.1m	0.9×0.7×1.1m	0.9×0.7×1.1m	0.9×0.7×1.1m
Traveling speed	35km/h	35km/h	35km/h	35km/h	35km/h
Dimensions	4.8×1.6×1.8m	5.4×1.6×1.9m	5.4×1.6×1.9m	5.8×1.8×2.2m	6.4×1.8×2.2m
Power capacity	Standard power source: Electric 220V AC power				
	Optional power source: Diesel engine/Battery				

Features

- ▶ Articulating boom
- ▶ Multiple job site application, indoors and outdoors
- ▶ High and low operation panel
- ▶ Hydraulically outriggers and outrigger interlocks
- ▶ Hands prevent folder
- ▶ Self-leveling protection
- ▶ Flashing Beacon
- ▶ Emergency lowering system
- ▶ 360° continuous turntable rotation
- ▶ Protective covers for oil-tank, emergency controls etc.
- ▶ AC power to platform (Optional)



AC Plug



Hands prevent folder



Omni-directional wheel



Hydraulic lock



Hydraulically outriggers



HYDRAULIC LIFT

Articulated Boom Lift

Vehicular articulated boom lift is a special equipment for high building, with four full-automatic hydraulic legs, articulating booms, self-propelled, can lift up and down automatically, 360° rotation work range, which enable lift work across the barriers.

Model	VA-8	VA-10.5	VA-12.5	VA-13.5
Max. lift height	8m	10.5m	12.5	13.5m
Max. working height	10m	12.5m	14.5	15.5m
Working cage	0.7×0.55×1.1m	0.7×0.55×1.1m	0.7×0.55×1.1m	0.7×0.55×1.1m
Platform capacity	200kg	200kg	200kg	180kg
Max working radius	2.5m	2.5m	3.8m	4.2m
Rotation	360°	360°	360°	360°
Overall Size	3.8×1.9×2.8m	3.8×1.9×3m	4.8×2.1×3.05m	5.1×2.2×3.25m
Total weight	1250kg	1360kg	1800kg	1900kg
Power	Diesel power			
Optional power	DC; Hybrid power			



Legs control



Control Panel



- Features:**
- ▶ Hydraulic legs
 - ▶ Headlight
 - ▶ Two-way hydraulic lock
 - ▶ Emergency lowering system
 - ▶ 2-wheel steering
 - ▶ Button Start
 - ▶ Working indicating light
 - ▶ 360° continuous turntable rotation
 - ▶ AC power to platform (Optional)



Mostly used for factory maintain, site installation and building cleaning, your ideal man lift.